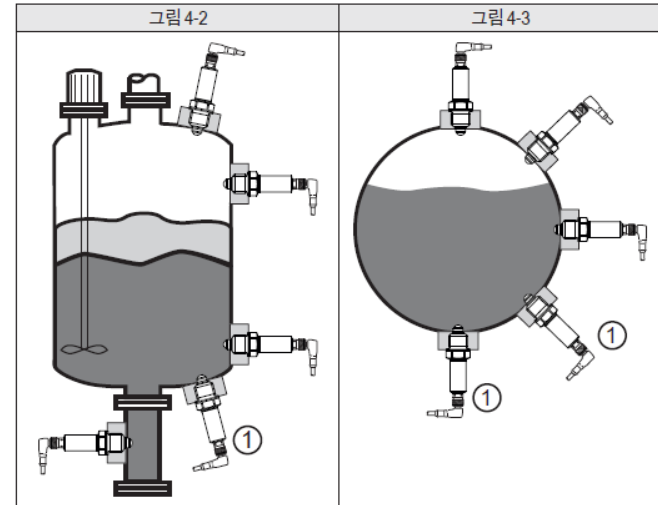




Point level sensor



Process connection	Probe length [mm]	Feature	Medium temperature [°C]	Order no.	Order no.
Applications: water, hydrous media/oils, oil-based media M12 connector · output function NO/NC complementary				Water	Oil
G 1/2	12	–	-25...100	LMC100	LMC110
G 1/2	21	Thread at the back	-25...100	LMC400	LMC410
1/2 NPT	34	–	-25...100	LMC500	LMC510
1/2 NPT	40	–	-20...100	LMC502	–